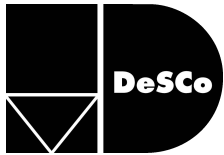


## i65+ SERIES THERMAL WINDOW

<b>DESCRIPTION</b>	<b>PROJECT-OUT</b>	<b>CASEMENT</b>	<b>PROJECT-IN</b>
AAMA Designation ASTM	P-AW100	C-AW100	P-AW100
F588 (Forced Entry)	Grade 10	Grade 10	Grade 10
Air Infiltration	<0.1 CFM	<0.1 CFM	<0.1 CFM
Water Resistance Maximum	15 psf	15 psf	15 psf
Sash Size	60" x 36"	36" x 60"	60" x 36"
Operating Hardware	Cam handles 4 bar hinges	Cam Handles 4 bar hinges	Cam handles 4 bar hinges
Optional Screens	Wicket screens Fiberglass or aluminum mesh	Extruded frame Fiberglass or aluminum mesh	Extruded frame Fiberglass or aluminum mesh
Frame Depth	4 1/2" (114mm)		
Typical Material Thickness	0.094" with tubular design		
Frame Construction	Miter - crimp & epoxy weld on frames Mortise & tenon on mullions		
Sash Construction Glazing	Miter - crimp & epoxy weld		
Thickness	1/4" and 1"		

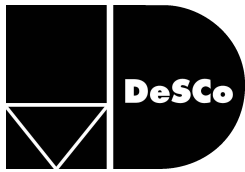


# i65 SERIES

## HARDWARE GUIDE

<b>DESCRIPTION</b>	<b>PROJECT-IN</b>	<b>PROJECT-OUT</b>	<b>CASEMENT</b>
Cam Handles	Standard	Standard	Standard
Custodial Locks	Optional	Optional	Optional
Spring Latch	Optional		
Pole Ring Cam Handles	Optional		
Pushbars		Optional	
Locking Handles	Optional	Optional	Optional
4 Bar Hinges	Standard	Standard	Standard
Roto Operators		Optional	Optional
Butt Hinges			Optional
Egress Hardware			Optional
Friction Adjustors	Optional	Optional	Optional
Limited Opening Device	Optional	Optional	Optional
Limit Stops	Optional	Optional	Optional
Screens	Optional	Optional	Optional
ADA Hardware	Optional	Optional	Optional

To determine the recommended number of locks or combinations of locking and hinging hardware, contact DeSCo Technical Support for assistance.



# i65 SERIES

---

## SIZE LIMITATIONS

	<b>MINIMUM SIZE</b>	<b>MAXIMUM SIZE</b>
<b>Project-in vent with cam handles</b>	14" wide x 14" high	60" wide x 36" high

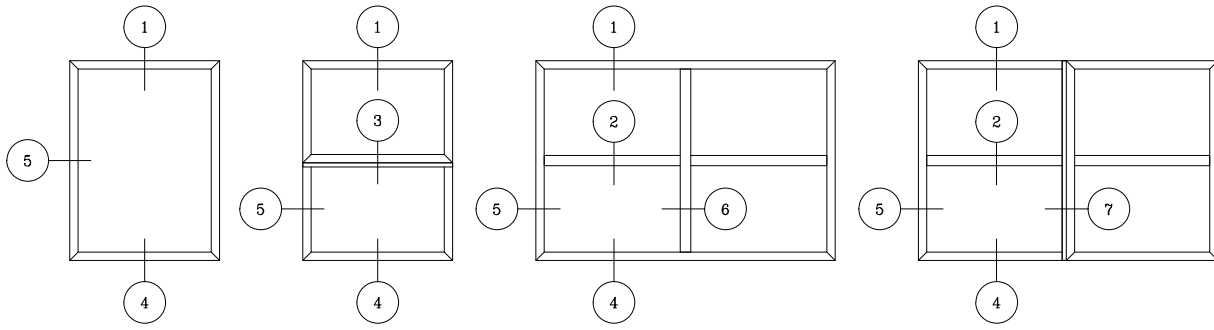
	<b>MINIMUM SIZE</b>	<b>MAXIMUM SIZE</b>
<b>Project-out vent with cam handles</b>	14" wide x 14" high	60" wide x 36" high
<b>Project-out vent with pushbars</b>	23" wide x 14" high	60" wide x 36" high
<b>Project-out vent with roto operators</b>	24" wide x 14" high	60" wide x 36" high

	<b>MINIMUM SIZE</b>	<b>MAXIMUM SIZE</b>
<b>Casement vent with roto operators</b>	20" wide x 24" high	36" wide x 60" high

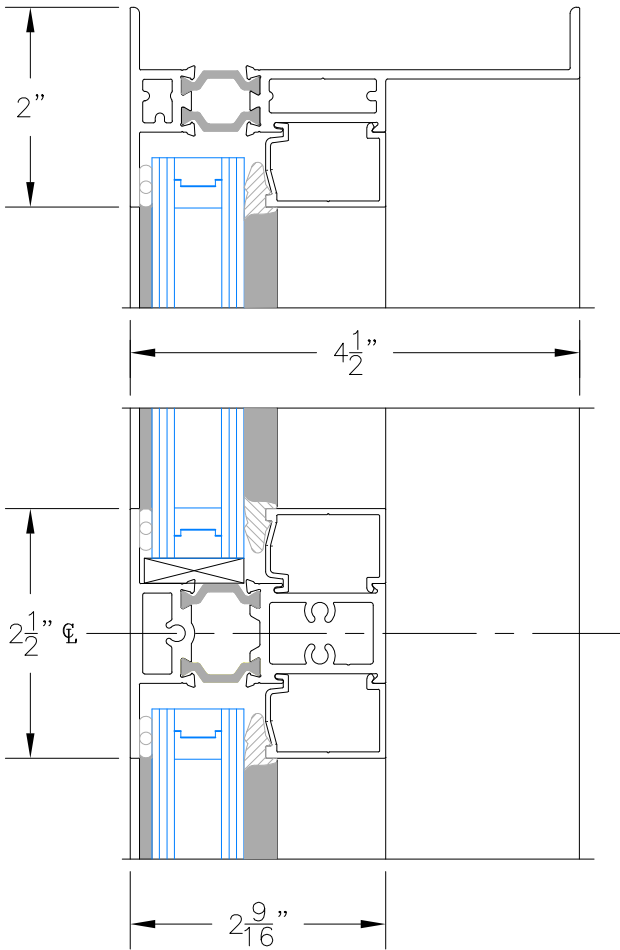
### Egress vent

	<b>WIDTH</b>	<b>HEIGHT</b>	
<b>For 20" clear opening width</b>	27 1/2"	45"	5.7 square foot of opening
<b>For 22" clear opening width</b>	29 1/2"	42"	5.7 square foot of opening
<b>For 24" clear opening width</b>	31 1/2"	39"	5.7 square foot of opening

Consult your DeSCO representative for vent size limitations due to hardware limitations.

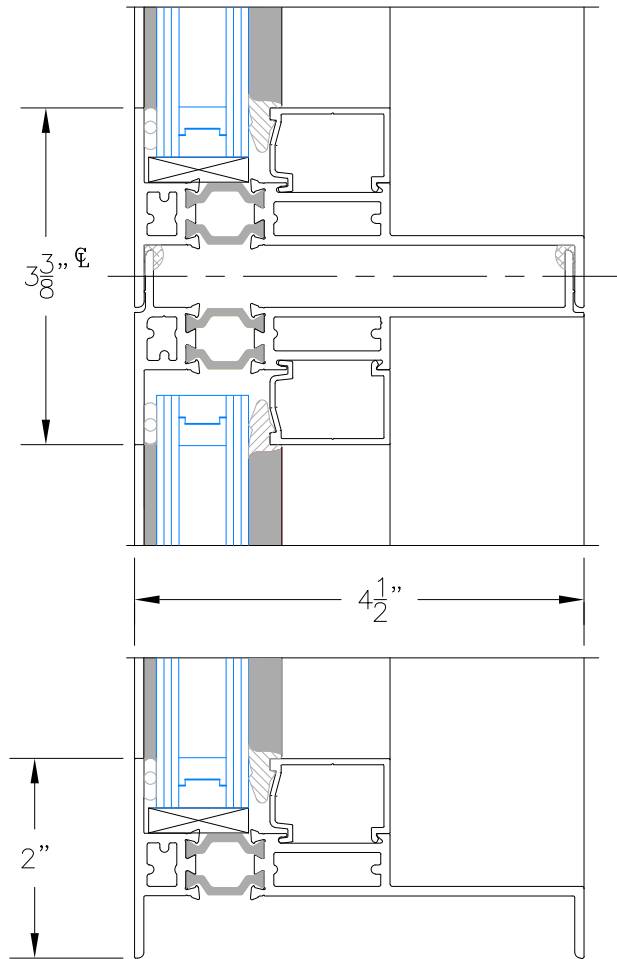


1 Head



2 Horizontal Mullion

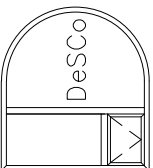
3 Horizontal Stack

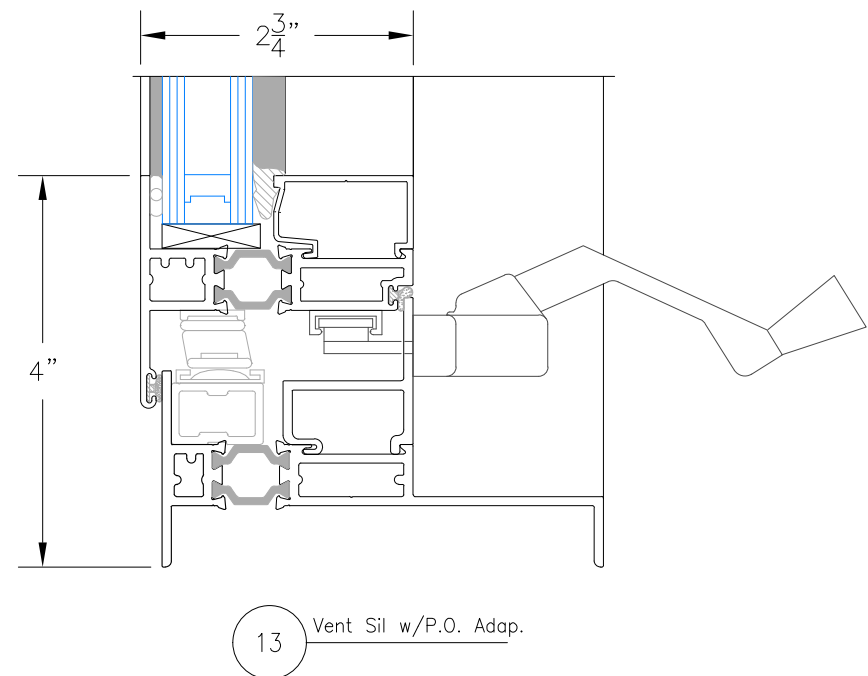
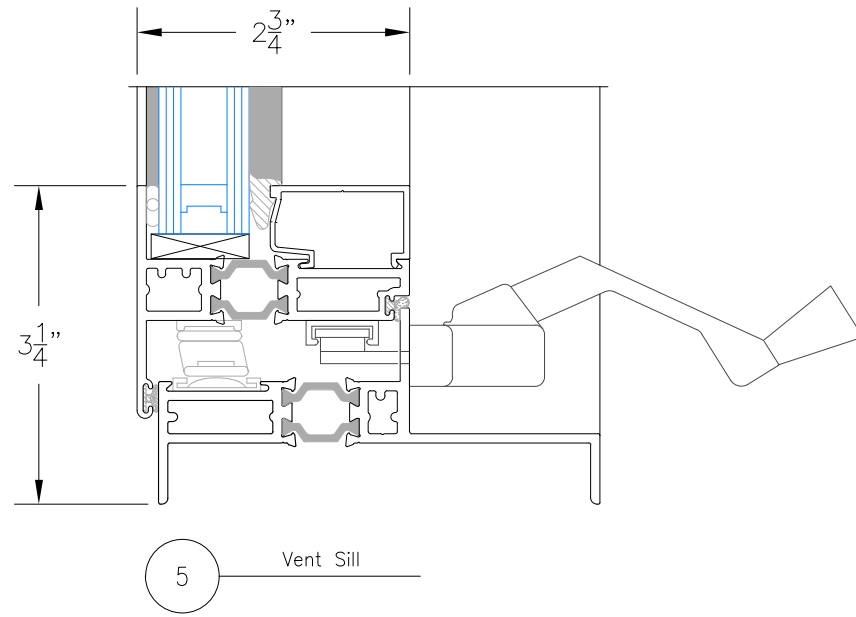
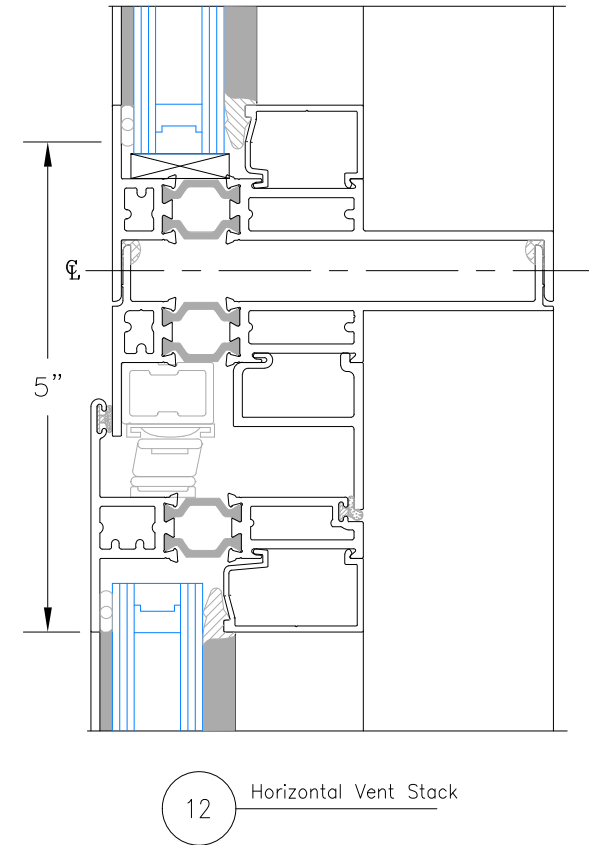
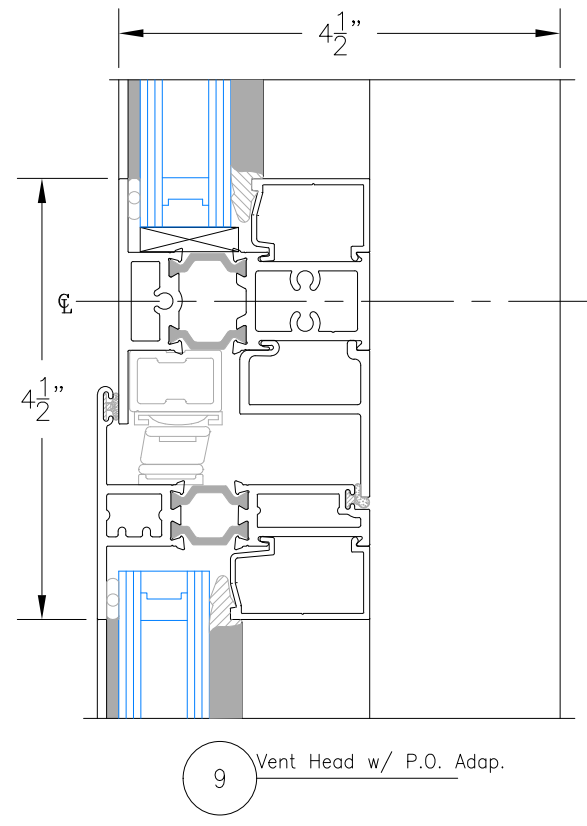
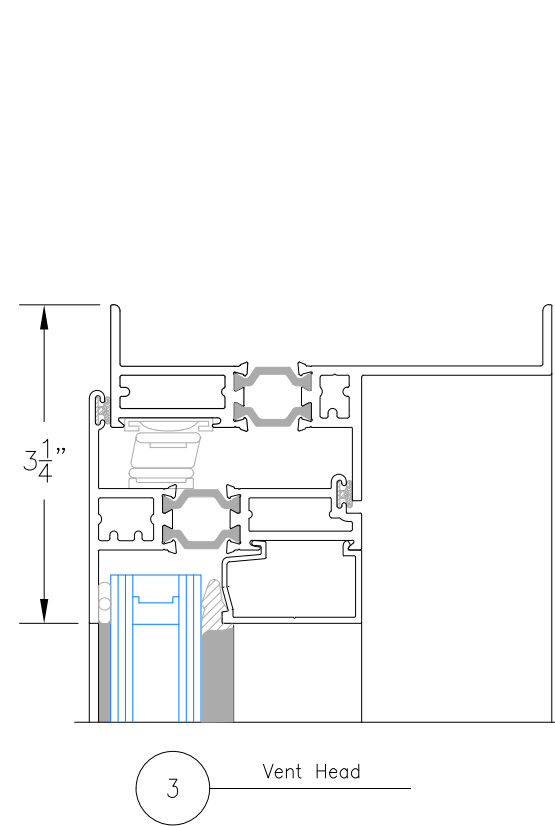
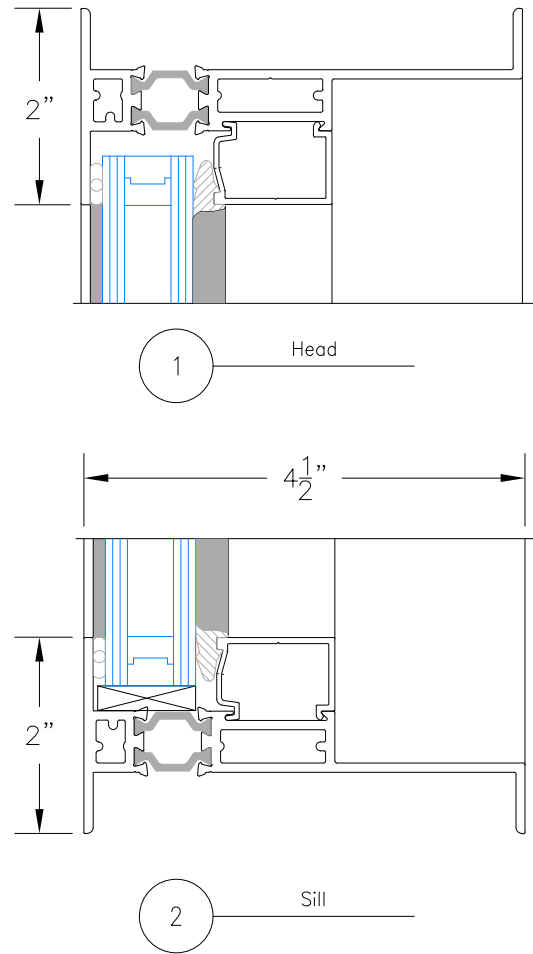
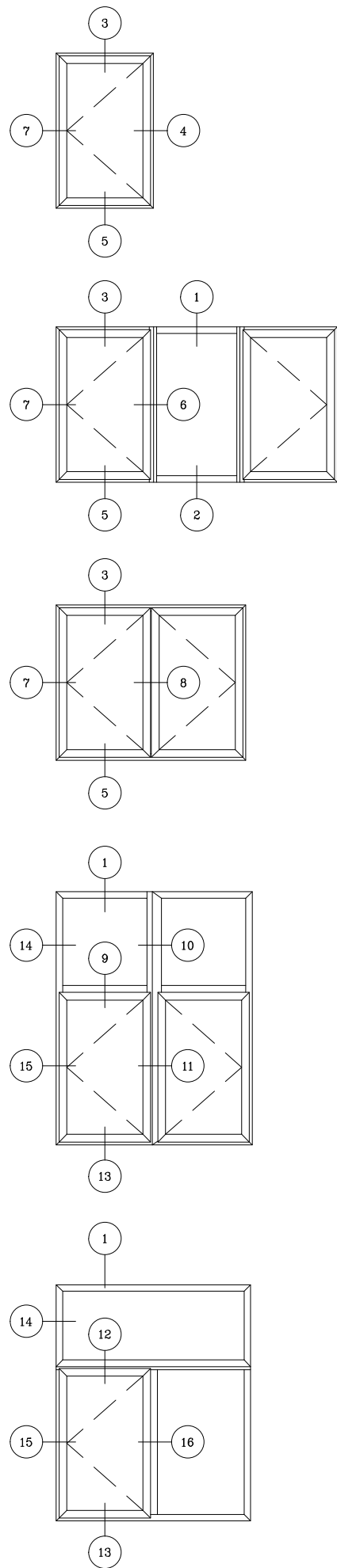


4 Sill

i65 PLUS SERIES THERMAL WINDOW  
FIXED / STATIONARY

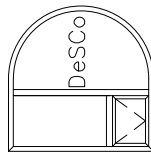
DeSCO Architectural, Inc.  
716 3rd Street SE  
De Smet, SD 57231  
Ph. 605-854-9126 Fax: 605-854-9127  
800-952-5534  
www.descoarc.com

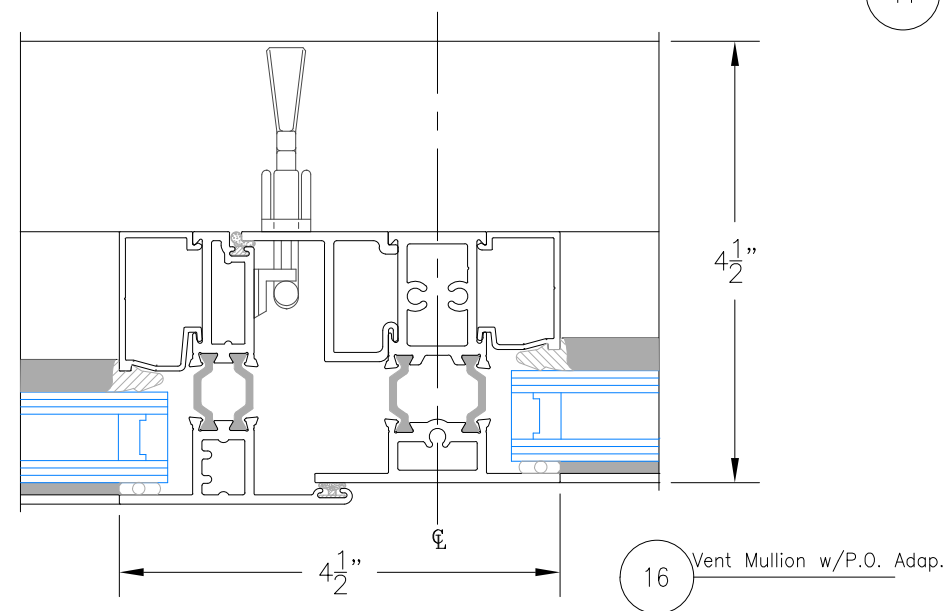
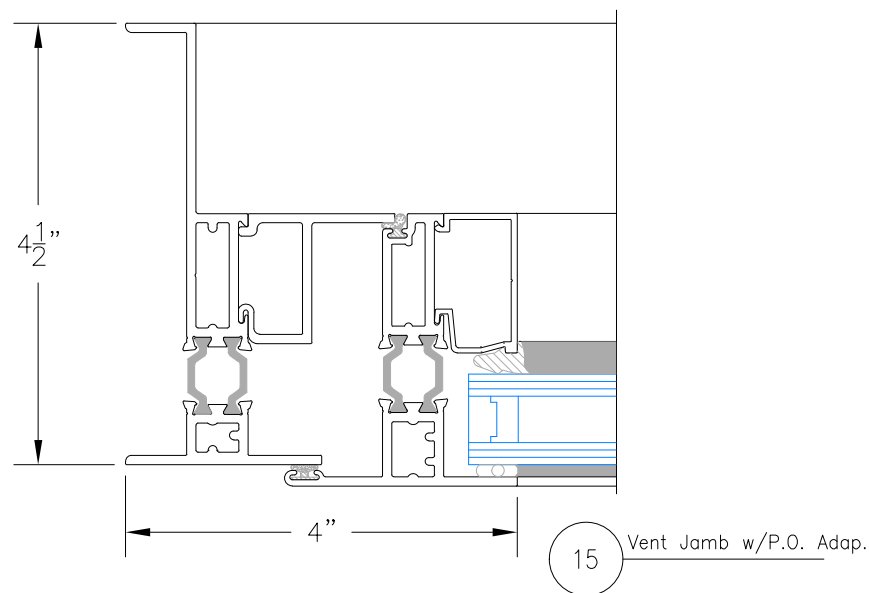
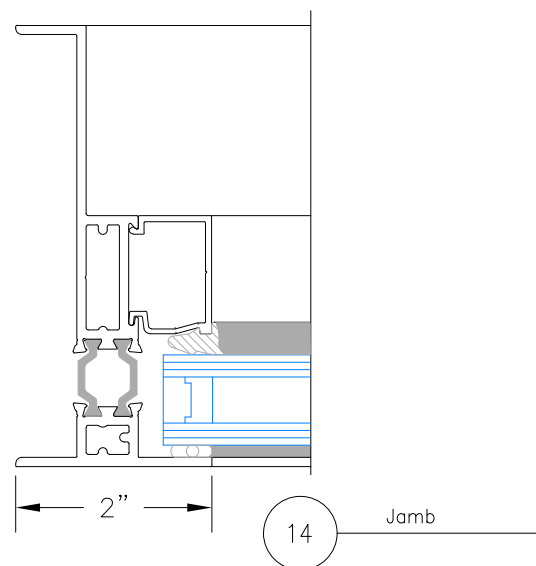
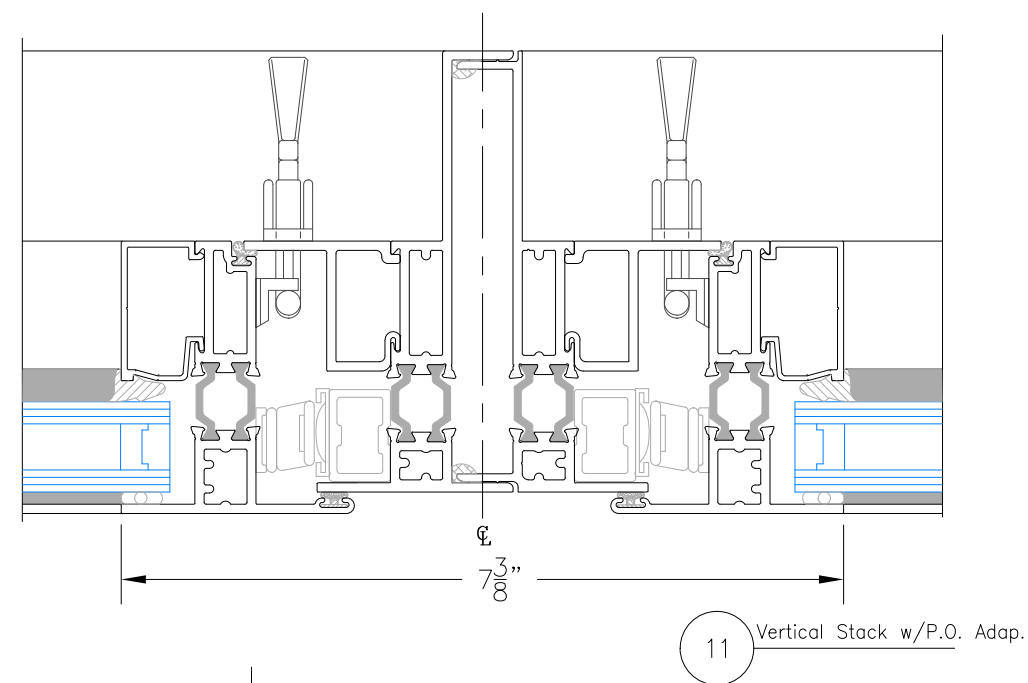
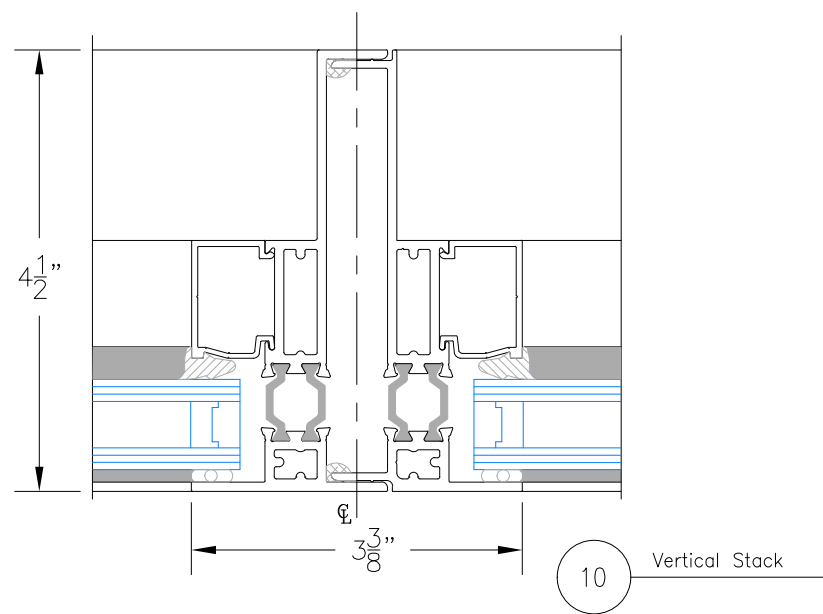
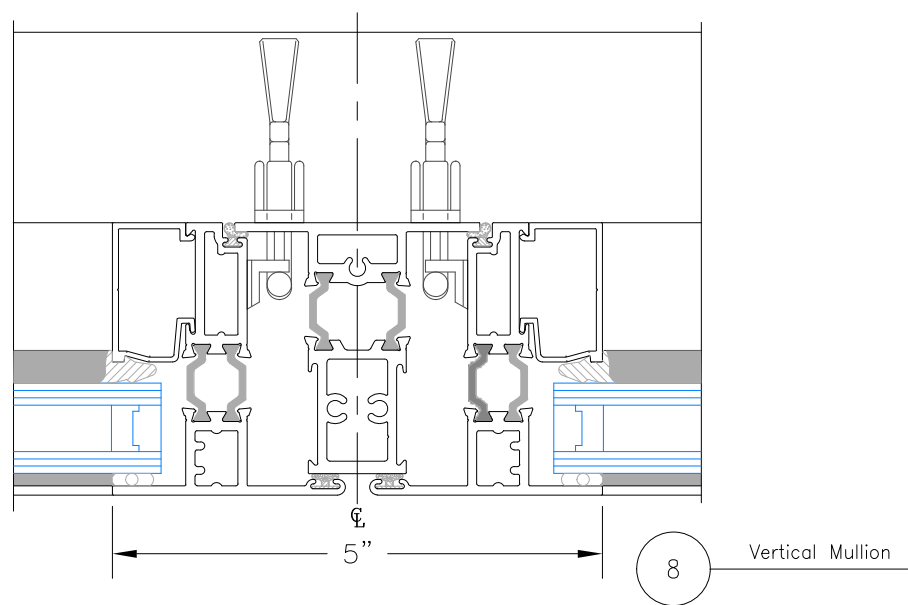
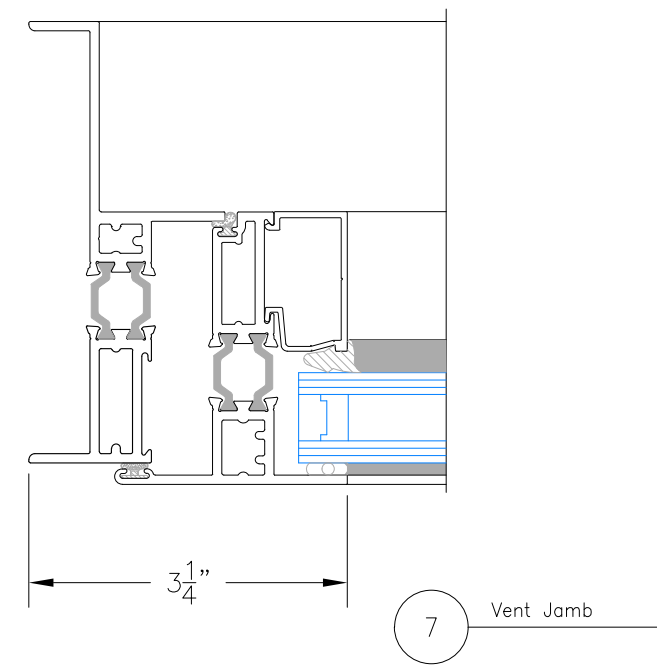
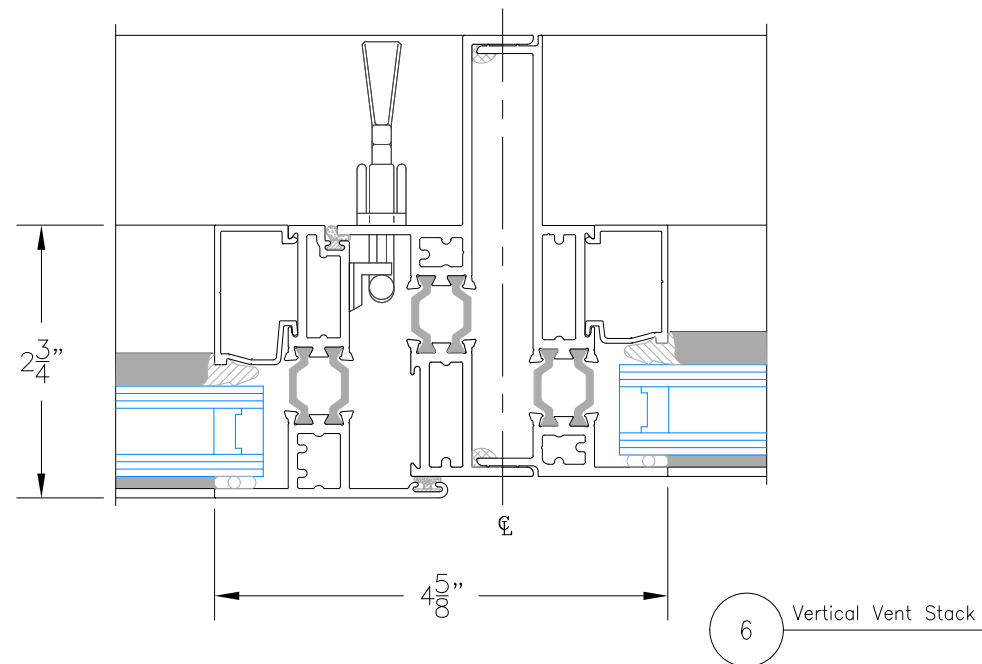
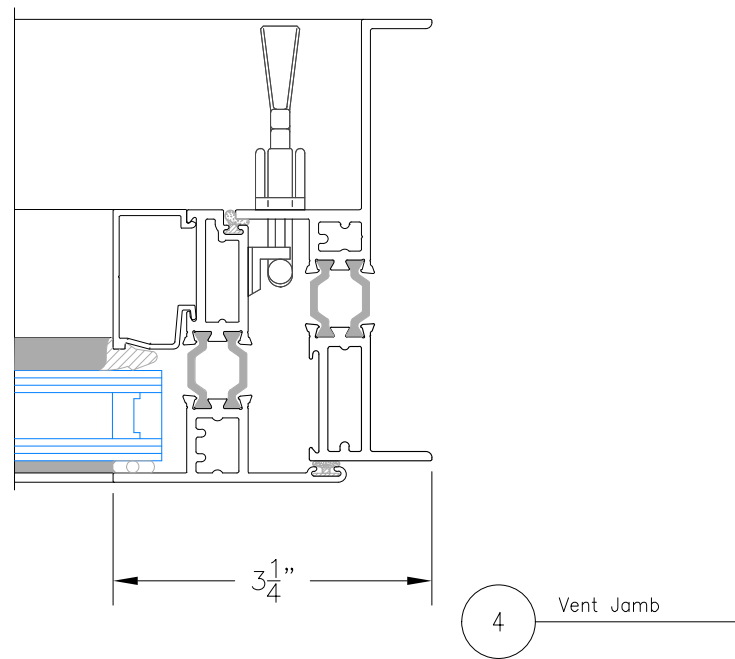




i65 PLUS SERIES THERMAL WINDOW  
CASEMENT

DeSCO Architectural, Inc.  
716 3rd Street SE  
De Smet, SD 57231  
Ph. 605-854-9126 Fax: 605-854-9127  
800-952-5534  
www.descoarc.com

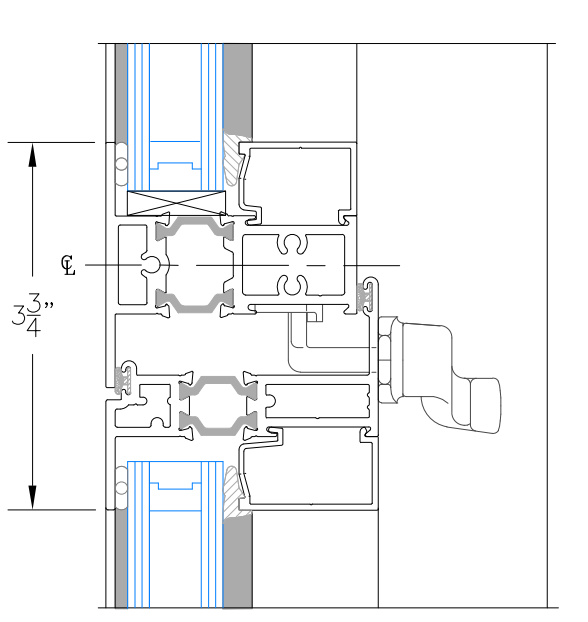
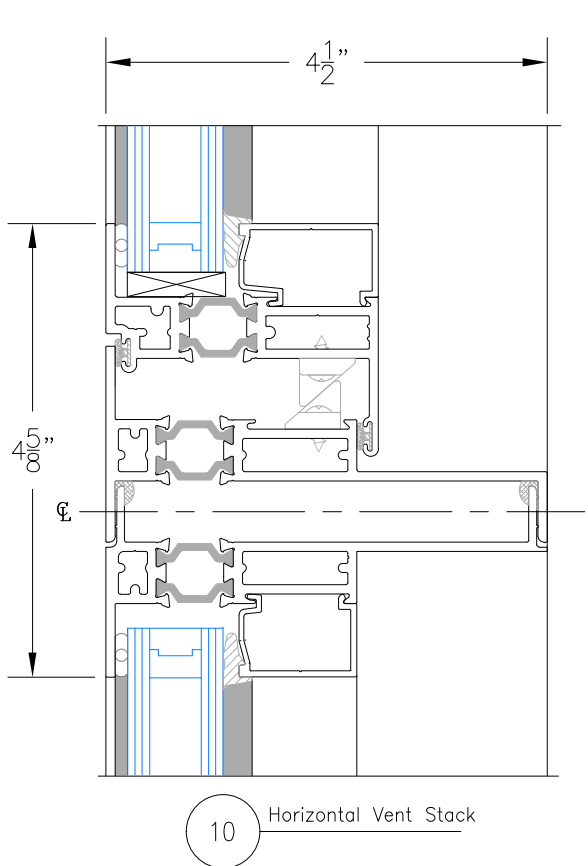
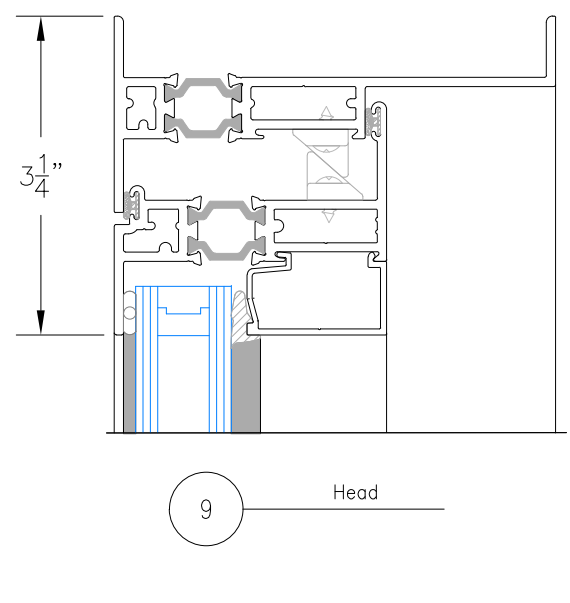
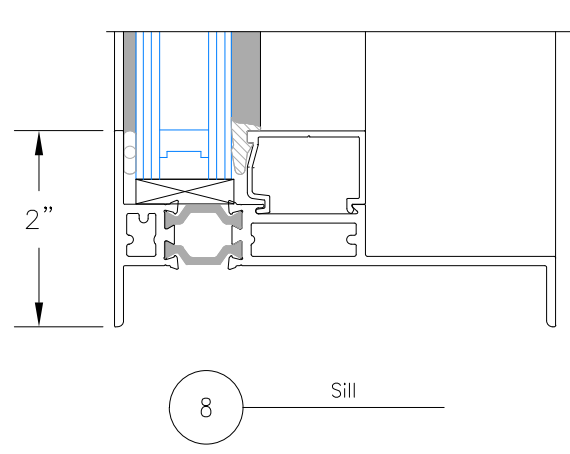
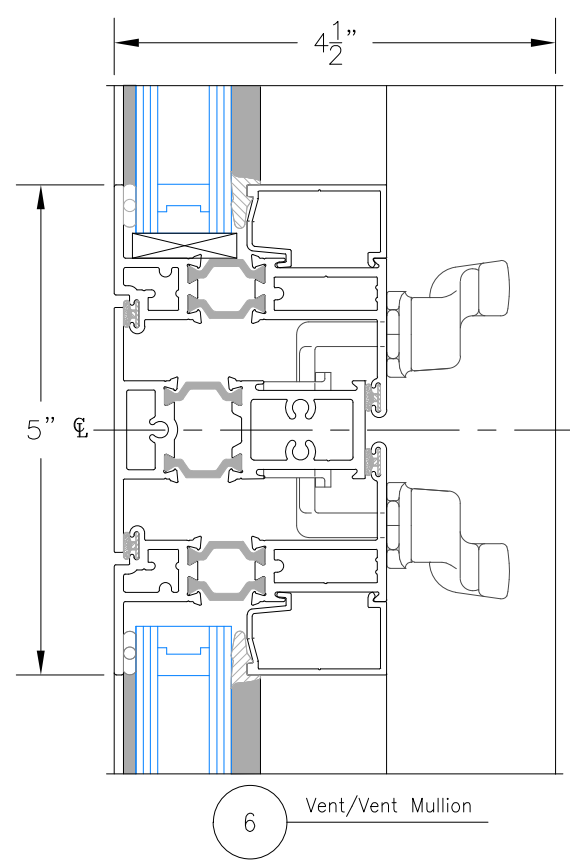
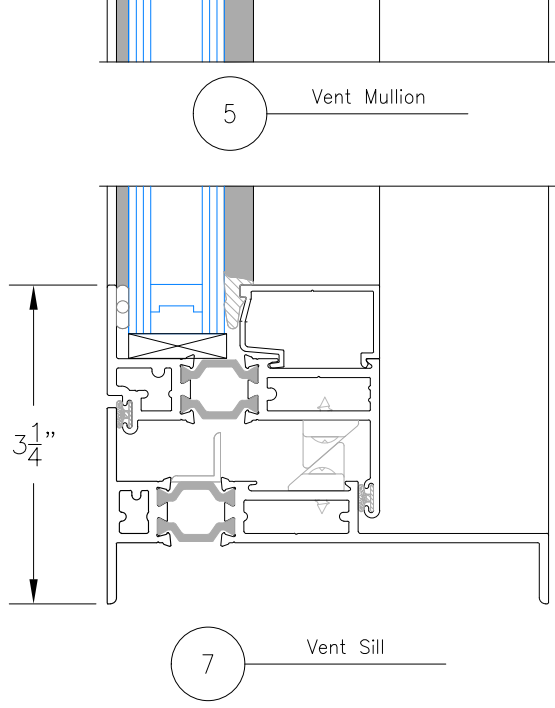
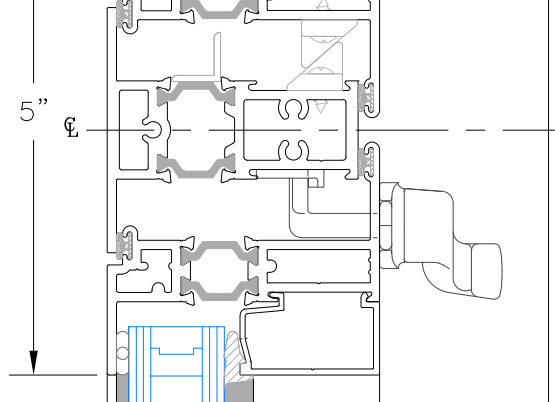
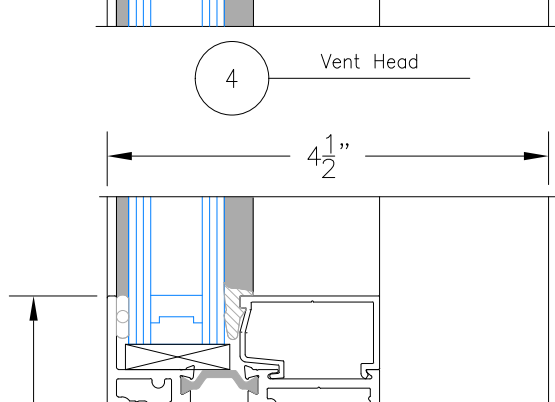
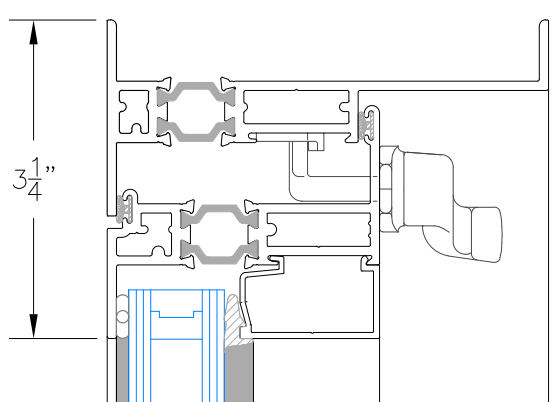
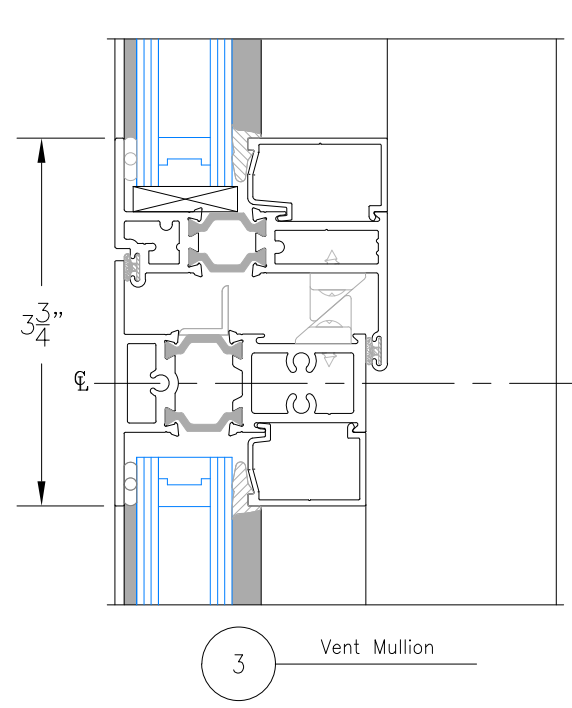
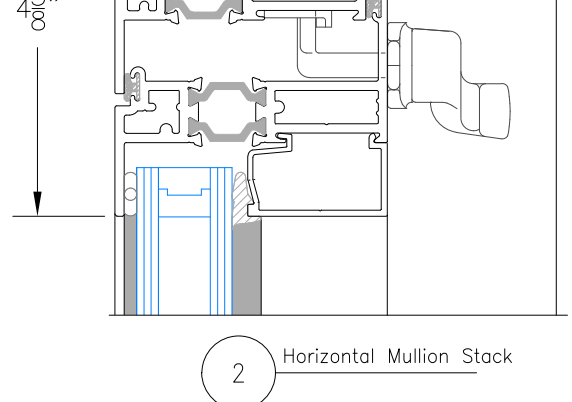
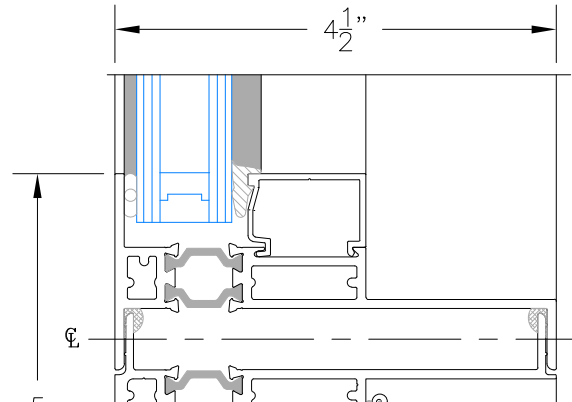
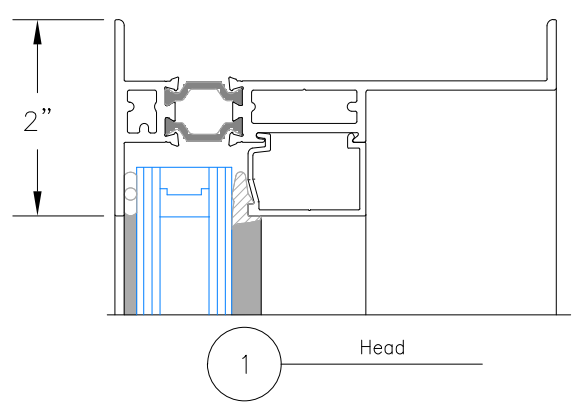
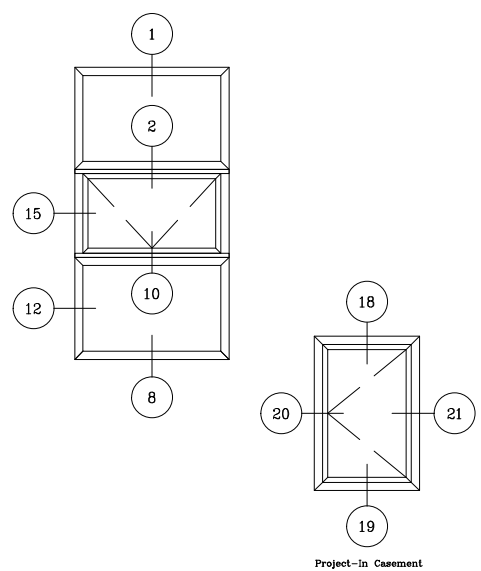
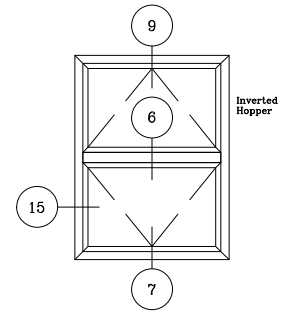
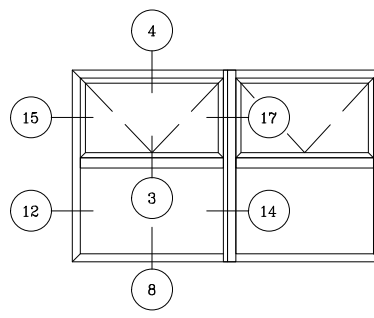
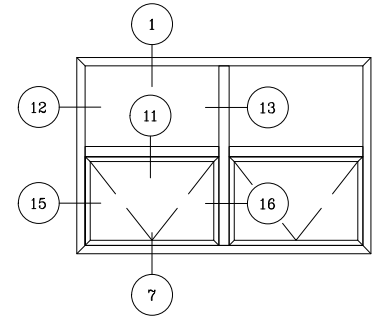
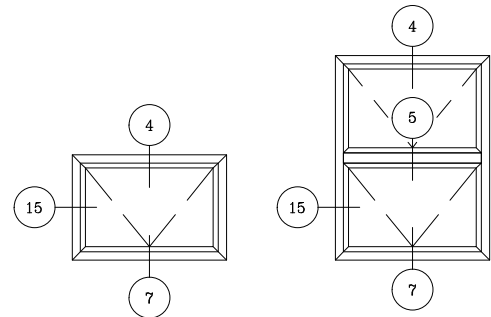




i65 PLUS SERIES THERMAL WINDOW  
CASEMENT

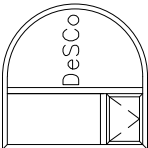
DeSCO Architectural, Inc.  
716 3rd Street SE  
De Smet, SD 57231  
Ph: 605-854-9126 Fax: 605-854-9127  
800-952-5534  
www.descoarc.com

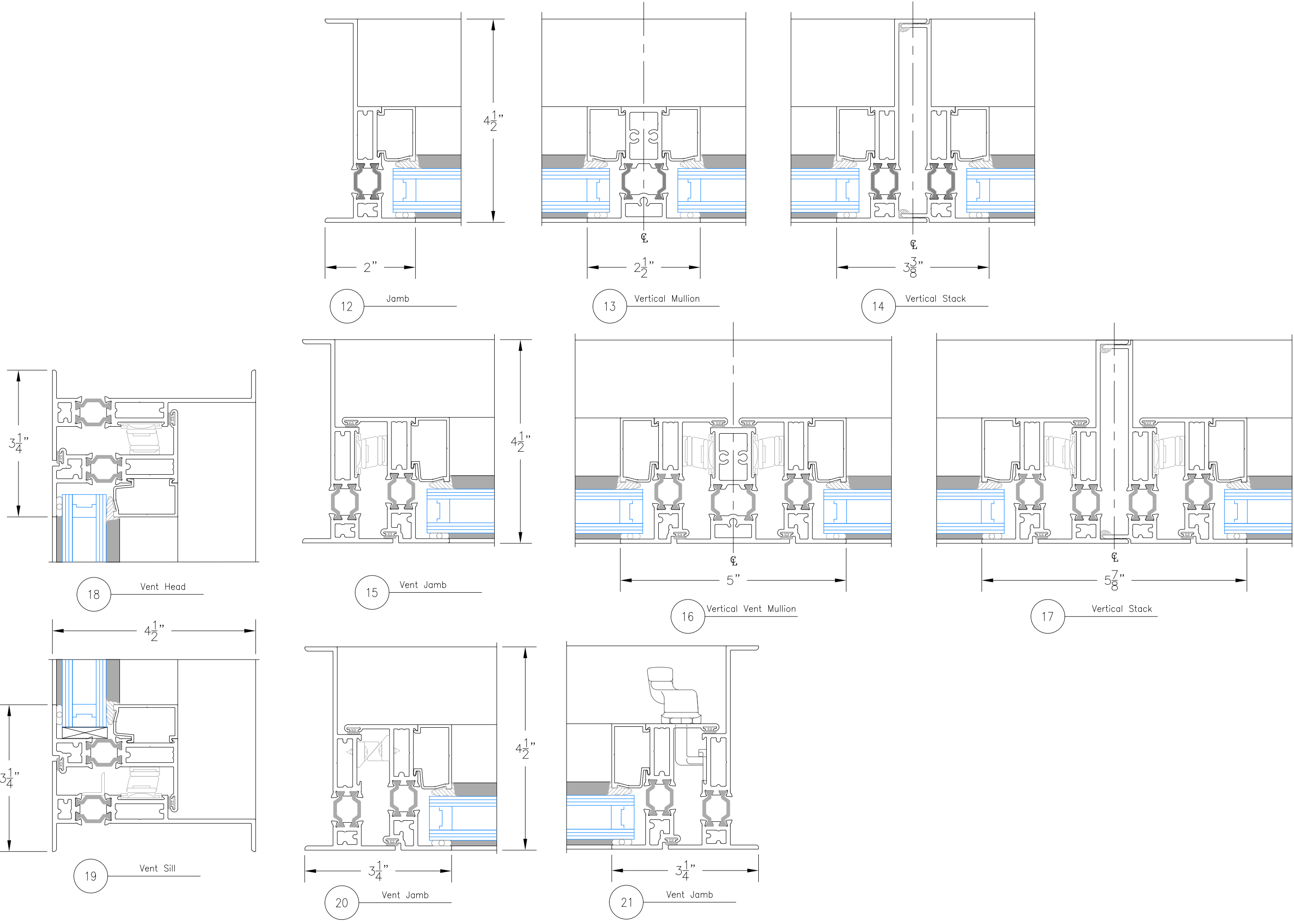




i65 PLUS SERIES THERMAL WINDOW PROJECT-IN

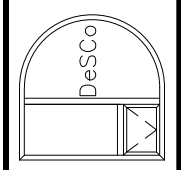
DeSCO Architectural, Inc.  
716 3rd Street SE  
De Smet, SD 57231  
Ph: 605-854-9126 Fax: 605-854-9127  
800-952-5534  
www.descoarc.com



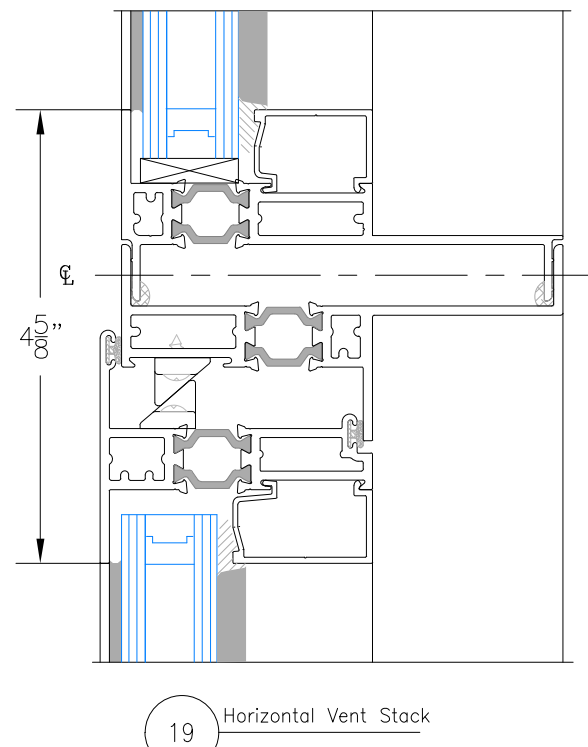
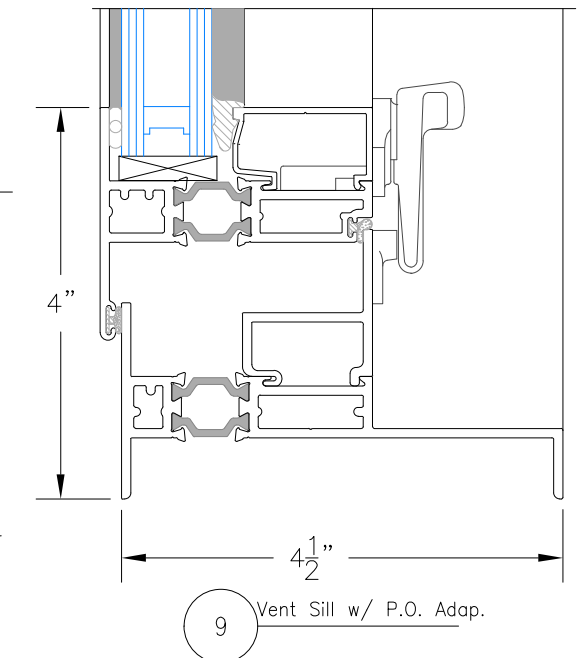
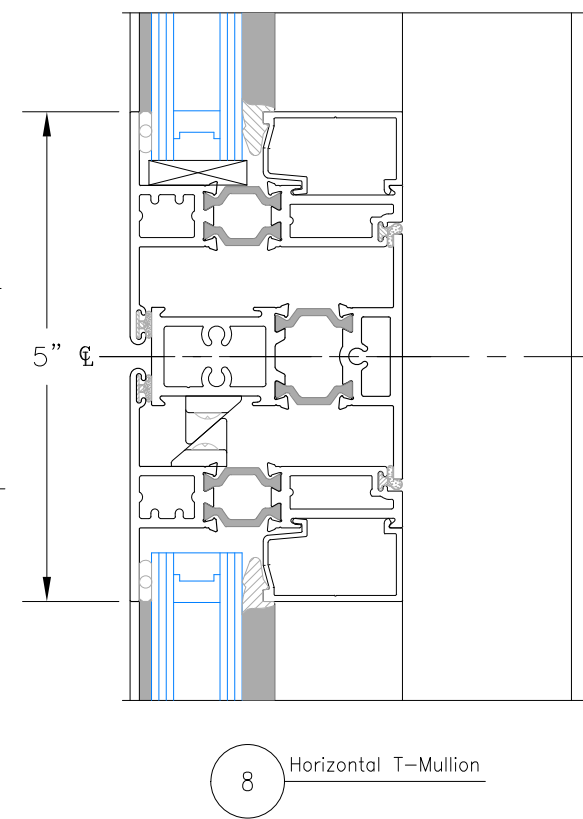
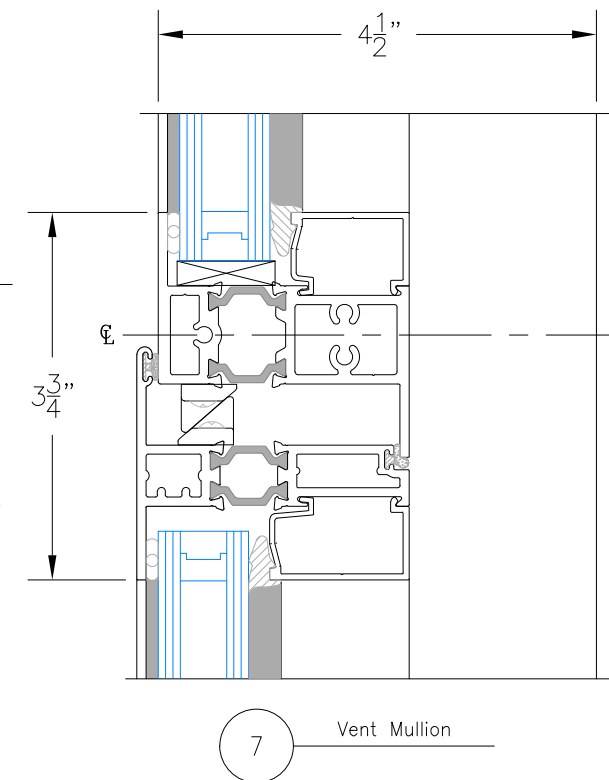
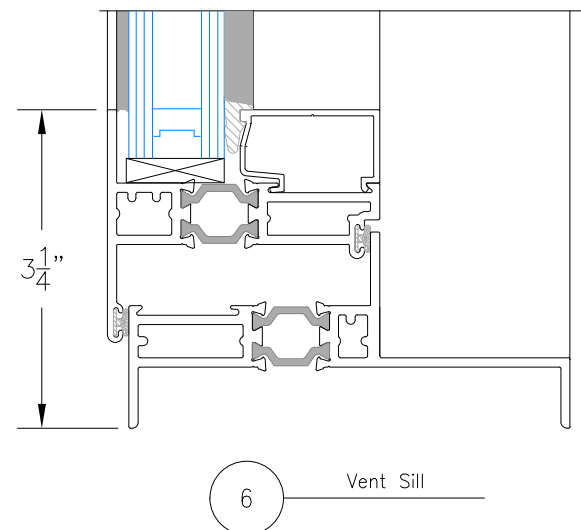
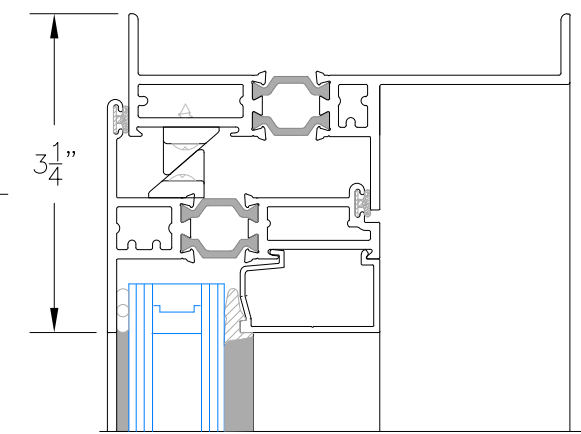
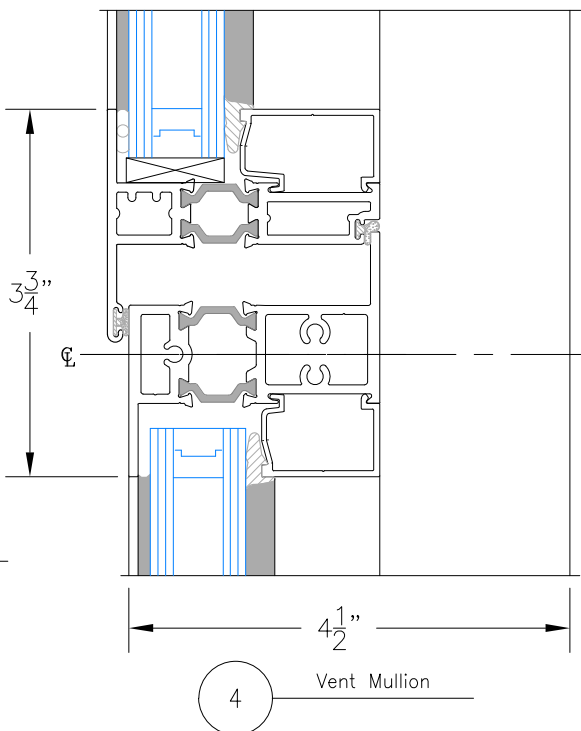
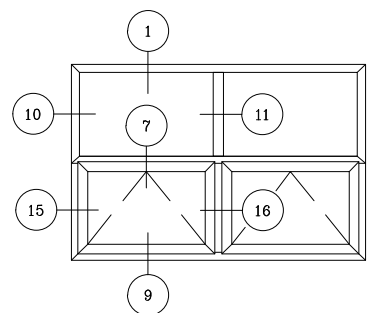
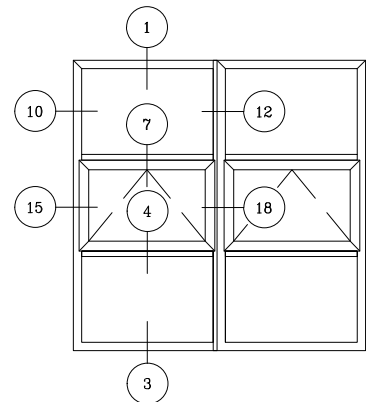
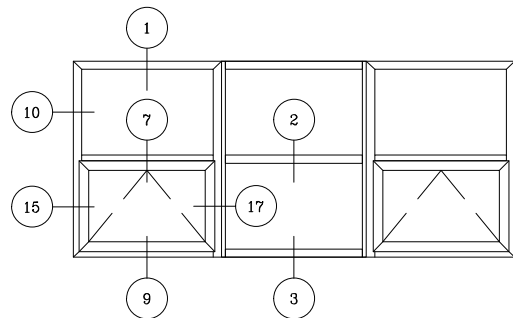
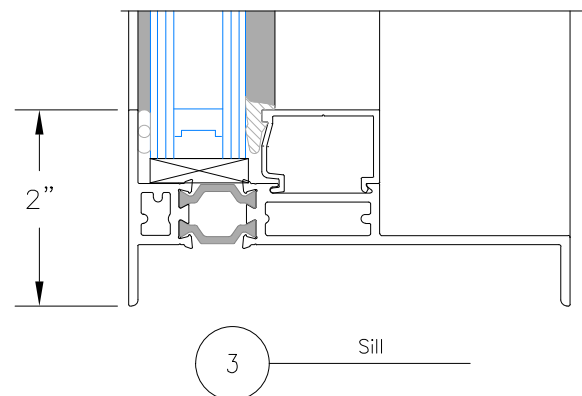
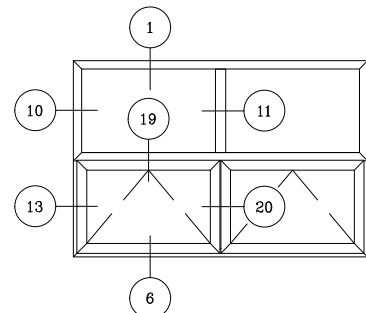
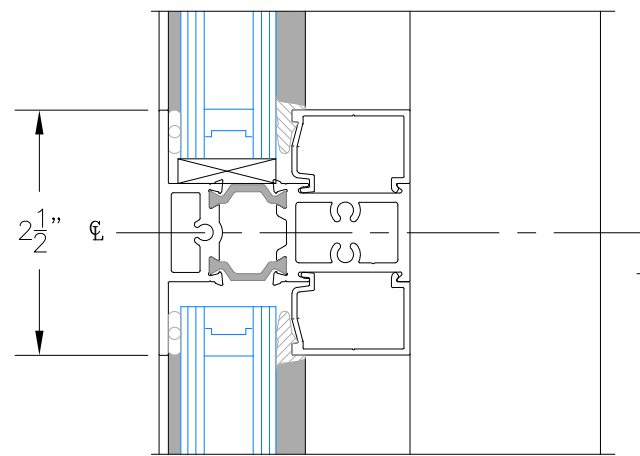
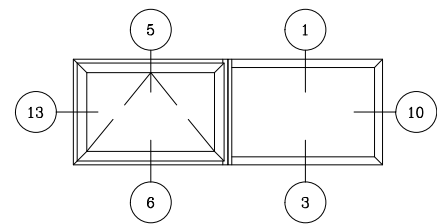
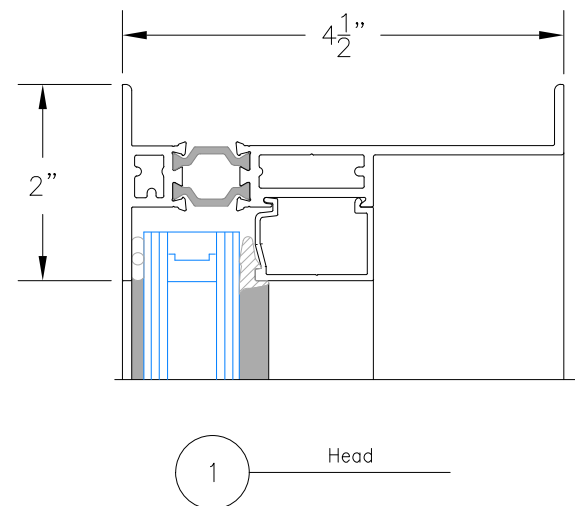
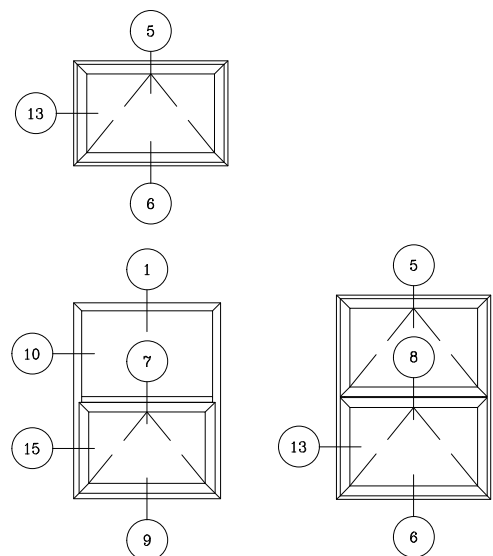


i65 PLUS SERIES THERMAL WINDOW  
PROJECT-IN

DeSCO Architectural, Inc.  
716 3rd Street SE  
De Smet, SD 57231  
Ph. 605-854-9126 Fax: 605-854-9127  
800-952-5534  
www.descoarc.com

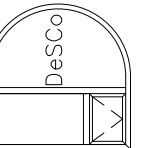


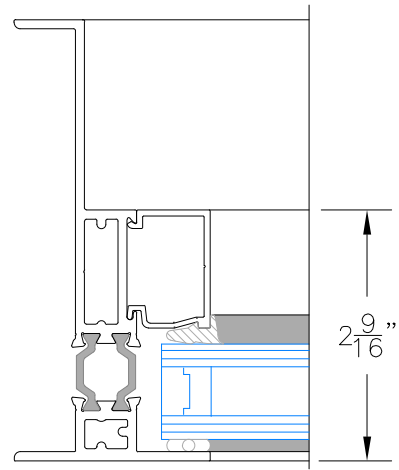




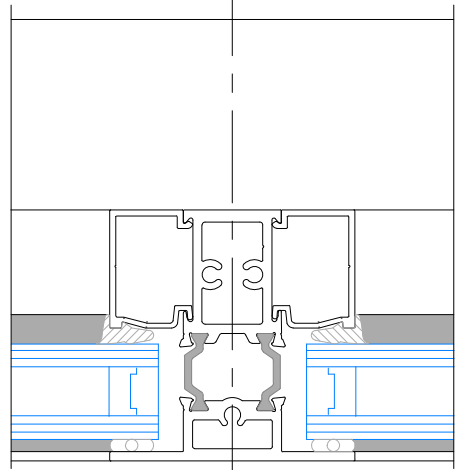
i65 PLUS SERIES THERMAL WINDOW  
PROJECT-OUT

DeSCO Architectural, Inc.  
716 3rd Street SE  
De Smet, SD 57231  
Ph. 605-854-9126 Fax: 605-854-9127  
800-952-5534  
www.descoarc.com

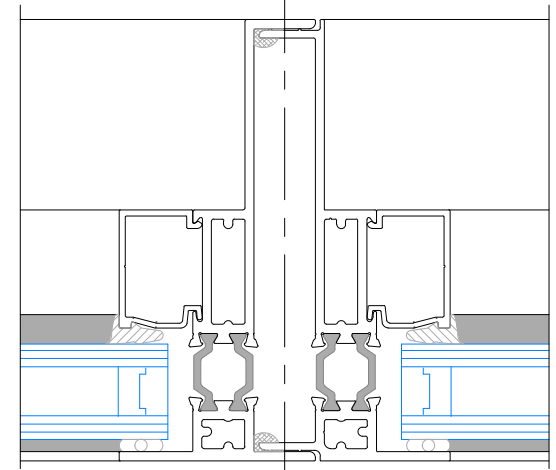




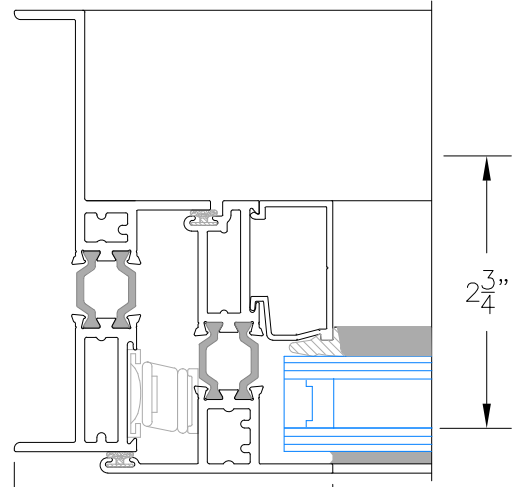
10 Jamb



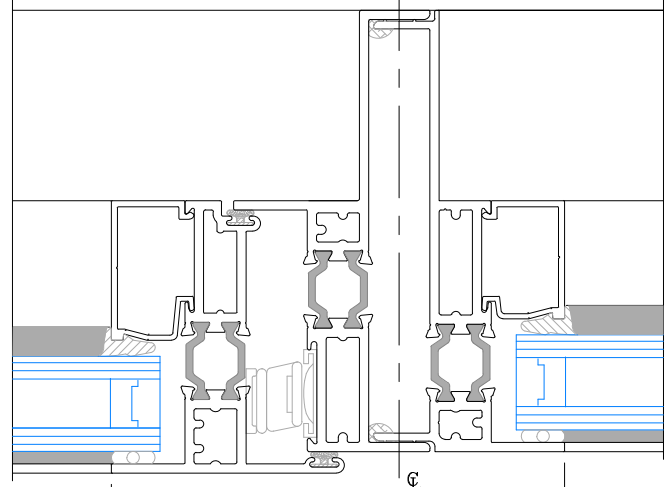
11 Vertical Mullion



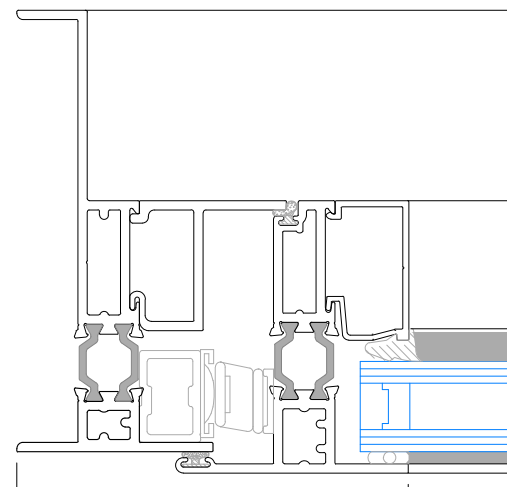
12 Vertical Stack



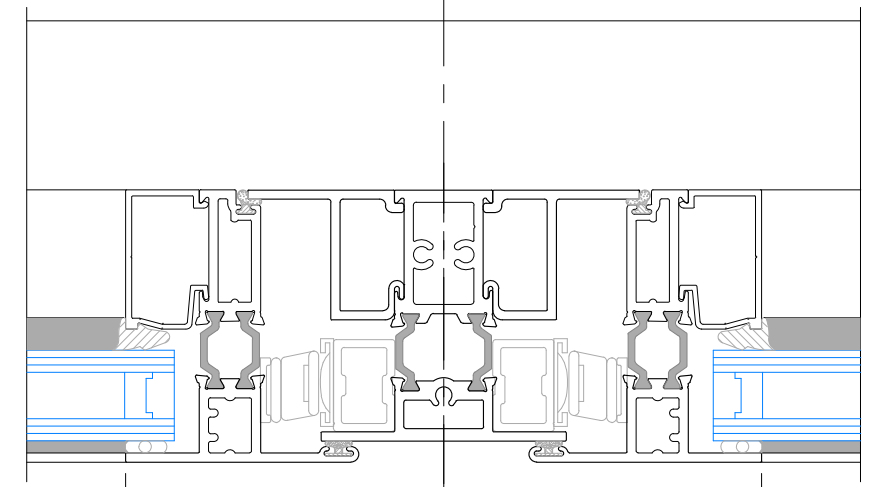
13 Vent Jamb



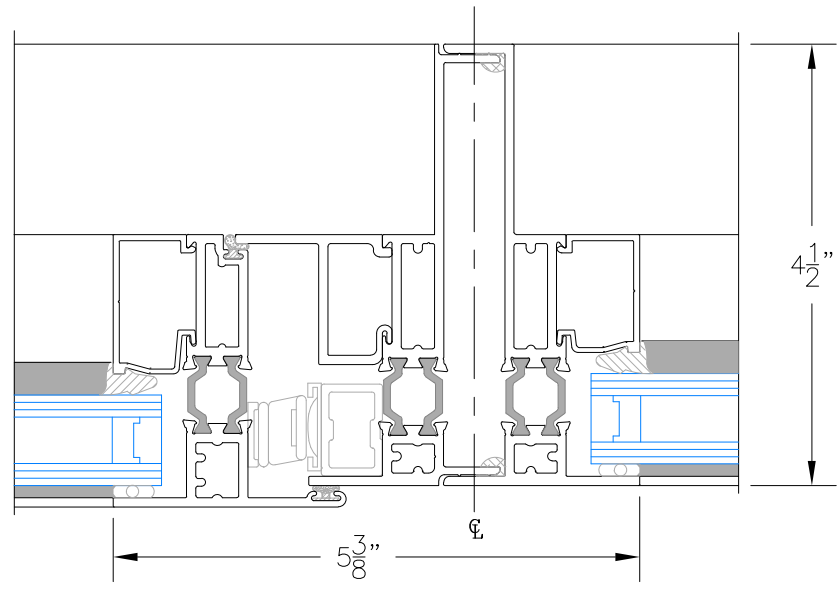
14 Vertical Vent Stack



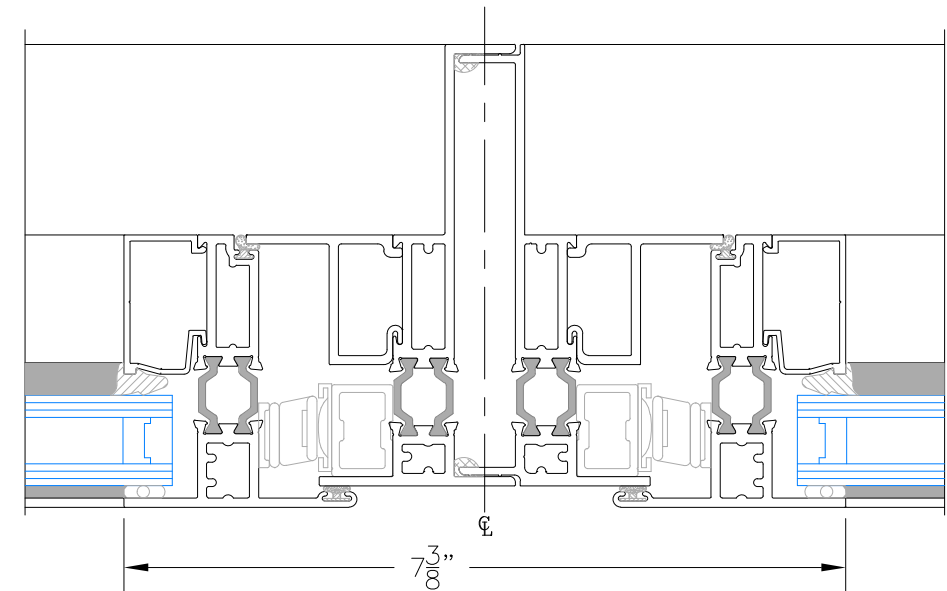
15 Vent Jamb w/P.O. Adap.



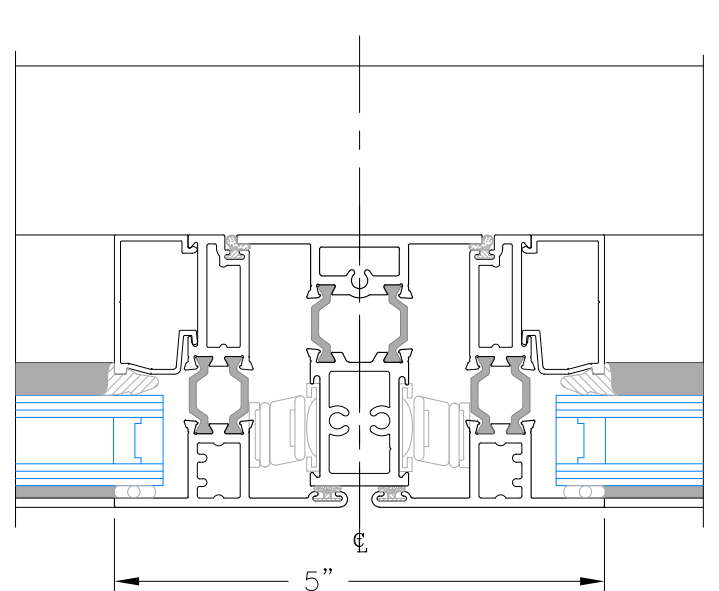
16 Vent Mullion w/P.O. Adap.



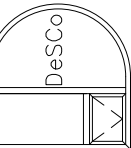
17 Vertical Stack w/P.O. Adap.

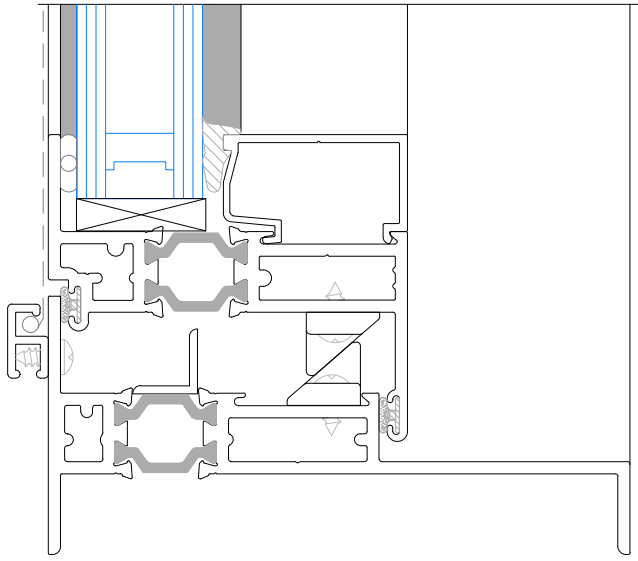


18 Vertical Stack w/P.O. Adap.

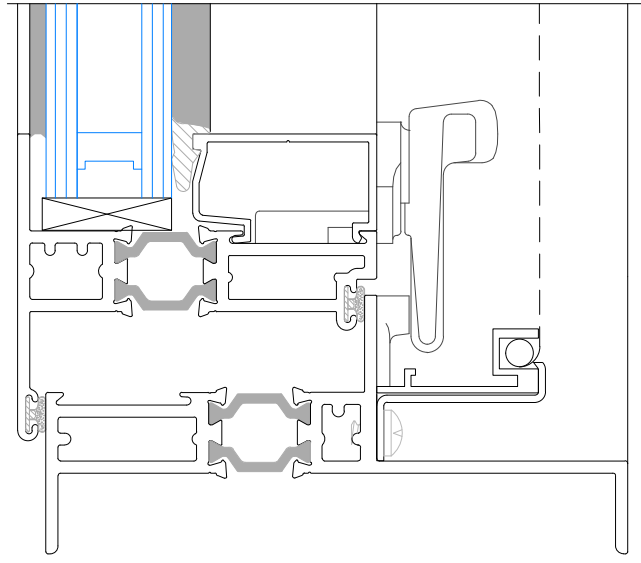


20 Vertical Mullion

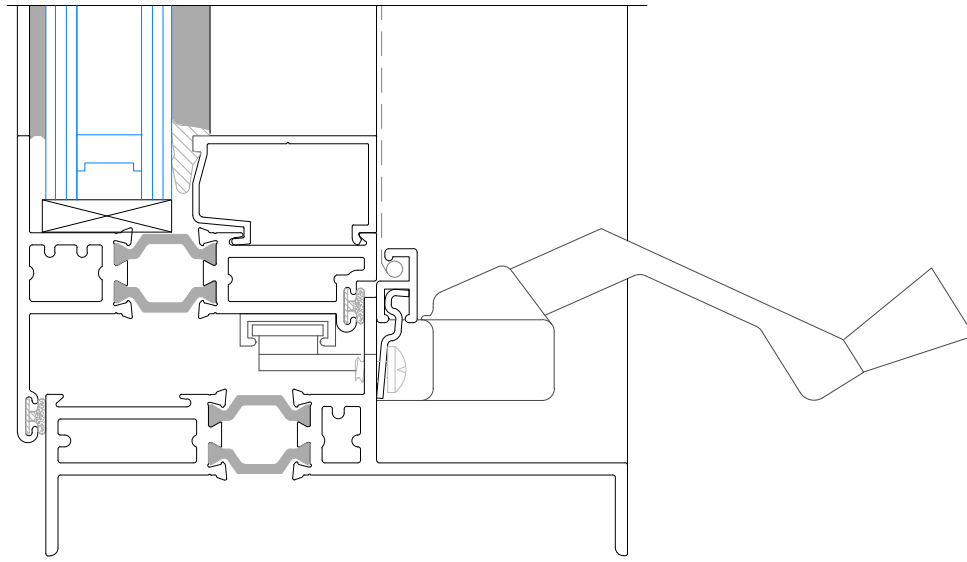




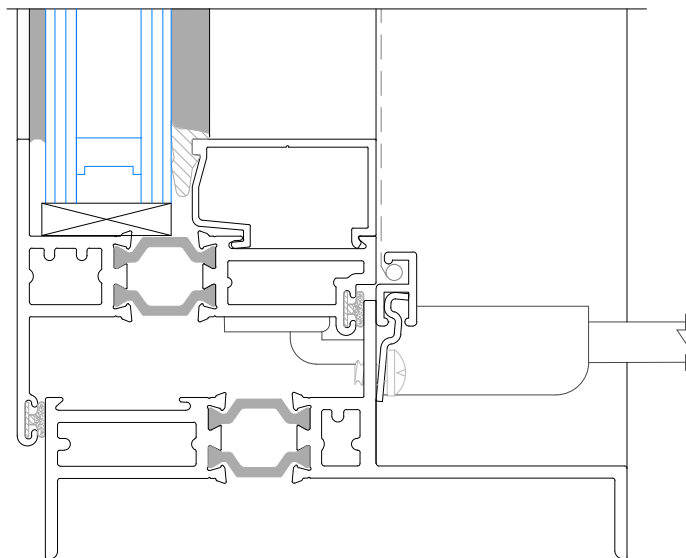
Project-In  
Screen



Project-Out  
Wicket Screen  
W/Cam Handle



Project-Out  
Screen  
W/Roto  
Operator

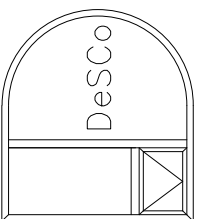


Project-Out  
Screen  
W/Pushbar

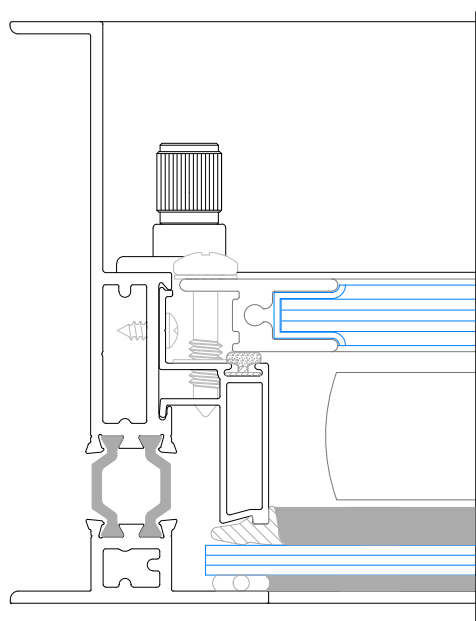
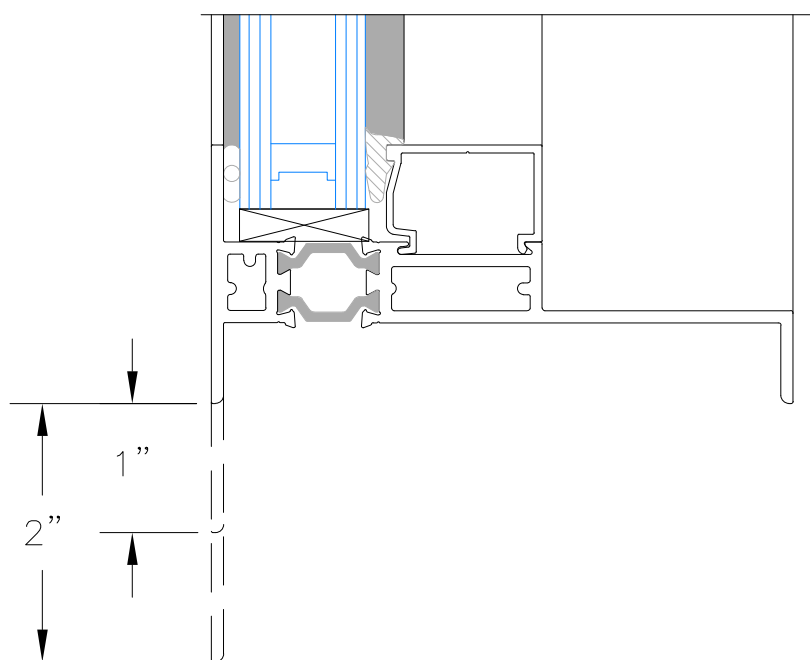
Scale: Half Scale

165 PLUS SERIES ACCESSORIES

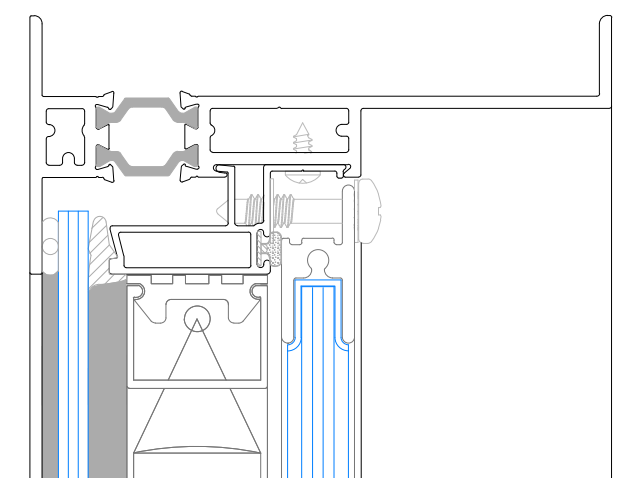
DeSCO Architectural, Inc.  
716 3rd Street SE  
De Smet, SD 57231  
Ph. 605-854-9126 Fax: 605-854-9127  
800-952-5534  
www.descoarc.com



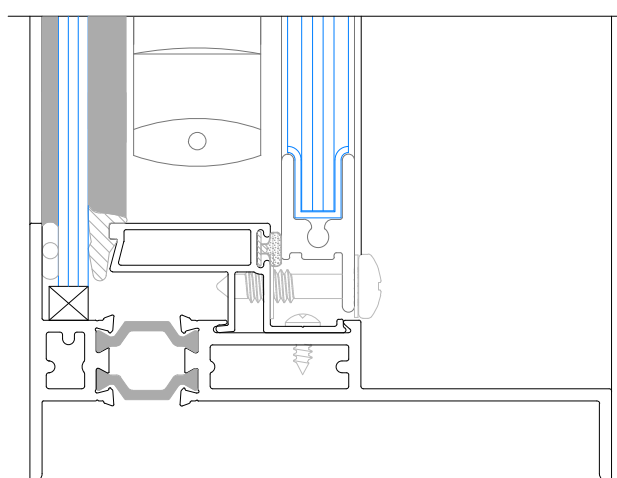
Exterior  
Unequal Leg  
Options



i65 Plus Series  
With Blinds  
Jamb Detail



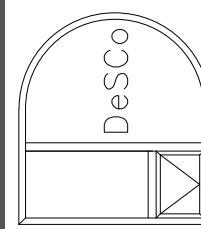
i65 Plus Series  
With Blinds  
Head Detail

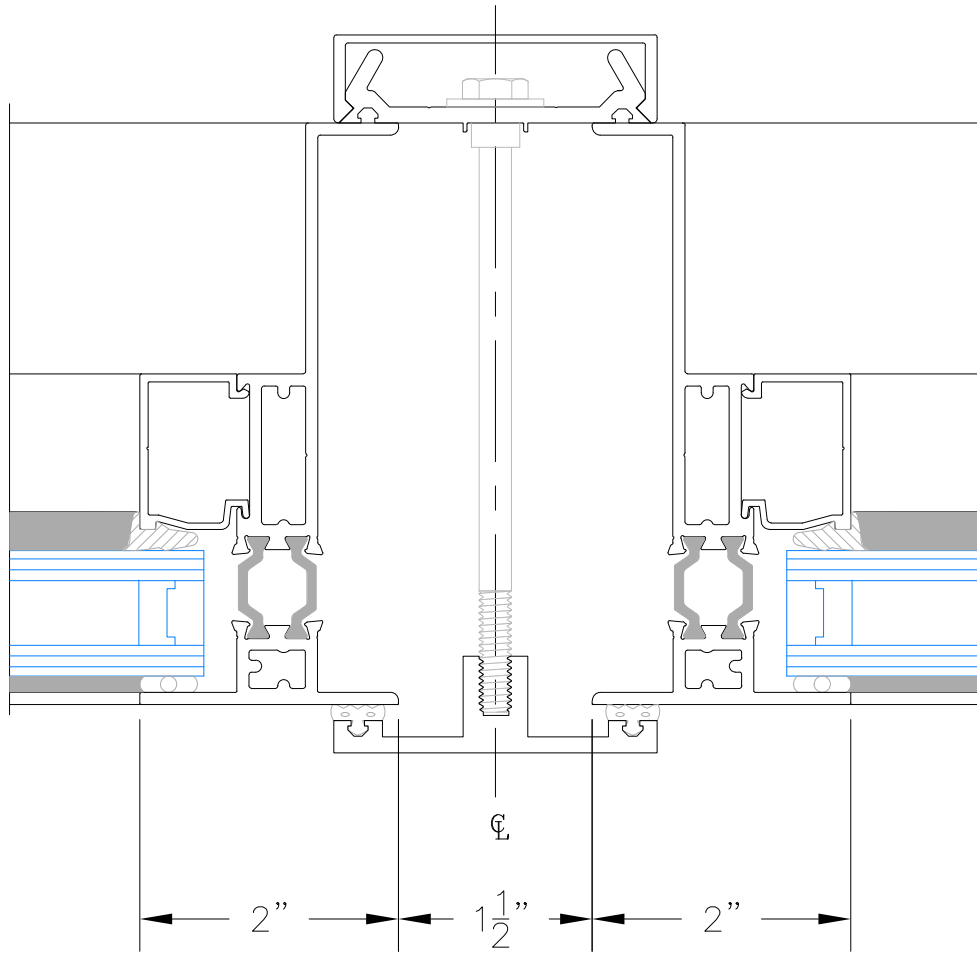


i65 Plus Series  
With Blinds  
Sill Detail

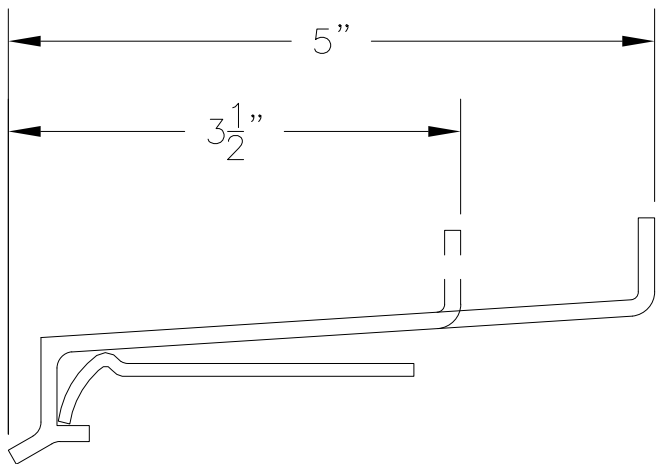
Scale: Half Scale

DeSCO Architectural, Inc.  
716 3rd Street SE  
De Smet, SD 57231  
Ph. 605-854-9126 Fax: 605-854-9127  
800-952-5534  
www.descoarc.com

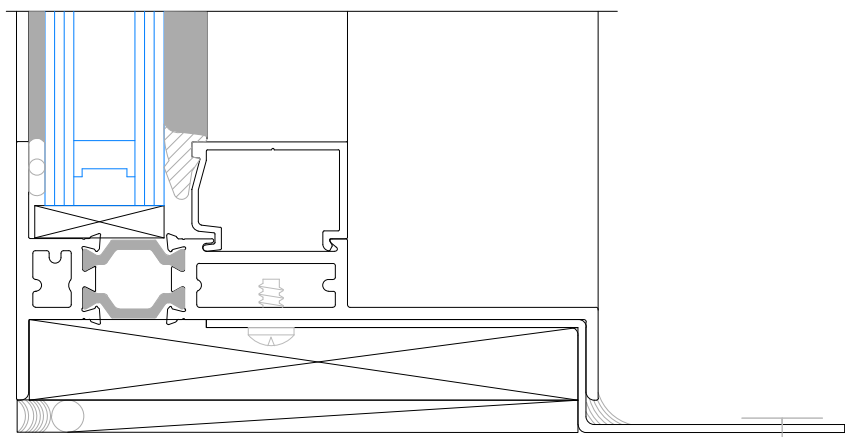




2 Piece Mullion Cover



Extruded Sill

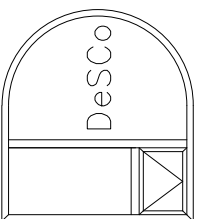


Strap Anchor

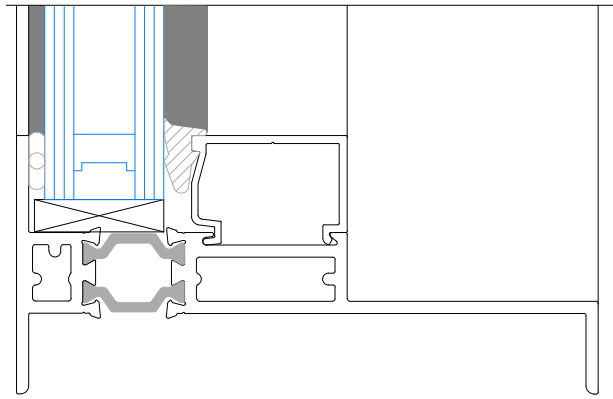
Scale: Half Scale

165 PLUS SERIES ACCESSORIES (Con't)

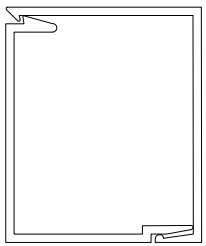
DeSCO Architectural, Inc.  
 716 3rd Street SE  
 De Smet, SD 57231  
 Ph. 605-854-9126 Fax: 605-854-9127  
 800-952-5534  
 www.descoarc.com



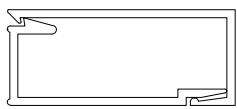
165 PLUS SERIES ACCESSORIES (Con't)



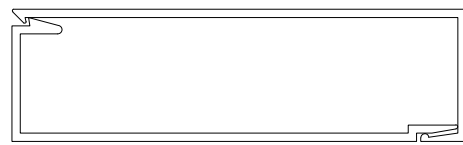
1" Glazing



1 1/2" x 1 3/4"  
Snap Trim



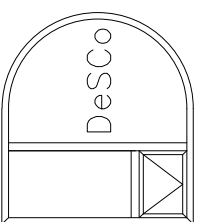
1 3/4" x 3/4"  
Snap Trim

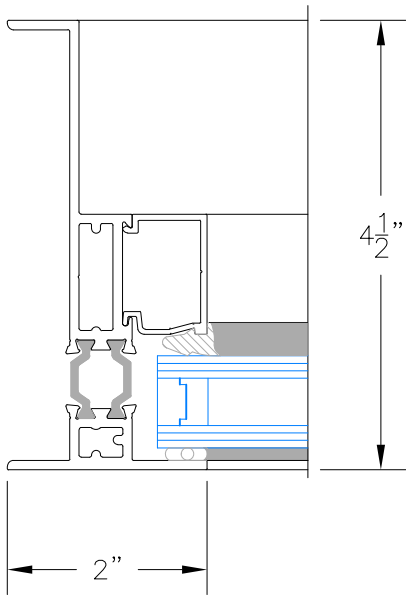


3 1/2" x 1"  
Snap Trim

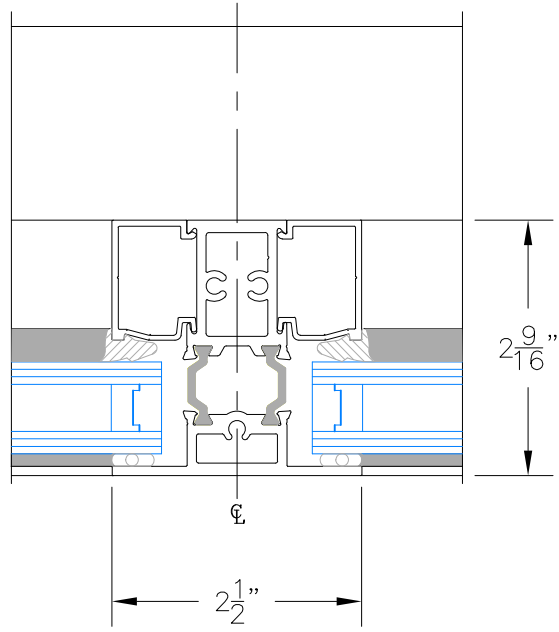
Scale: Half Scale

DeSCO Architectural, Inc.  
716 3rd Street SE  
De Smet, SD 57231  
Ph. 605-854-9126 Fax: 605-854-9127  
800-952-5534  
www.descoarc.com

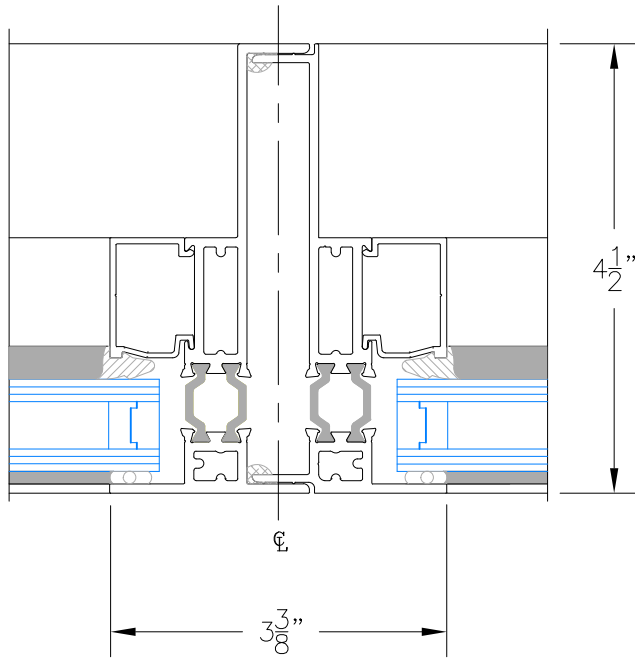




5 Jamb



6 Vertical Mullion



7 Vertical Stack

# i65 PLUS SERIES THERMAL WINDOW (Con't)

## FIXED/STATIONARY

DeSCO Architectural, Inc.  
716 3rd Street SE  
De Smet, SD 57231

Ph. 605-854-9126 Fax: 605-854-9127  
800-952-5534  
www.descoarc.com

